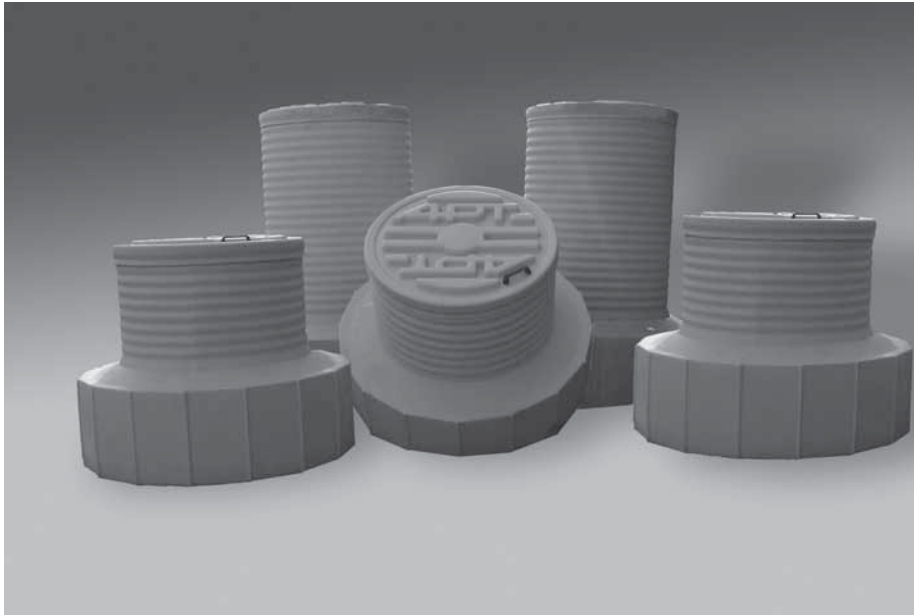




## 4736 Series One-Piece Tank Sump

The 4736 series one-piece tank sump is made of high-density polyethylene with a factory installed gasketed snap-on lid. The sixteen side panels allow for pipe entry from virtually any direction.

The 4736 series tank sump is available in three burial depths. Each is offered an optional inspection port (IP) for easy viewing of the interior of the sump without removal of the lid.



### Design Highlights & Advantages

- Economically priced one-piece design.
- Ribbed riser allow for simple 3" height adjustments using standard tools.
- Available in deep, medium and shallow burial depth models.
- Utilizes a unique gasketed, snap-on lid design.
- Sized to fit under a standard 36" manhole.
- Central location for an optional inspection port.
- Lid designed with a large-grip handle and sump lid puller for easy removal of the snap-on lid.

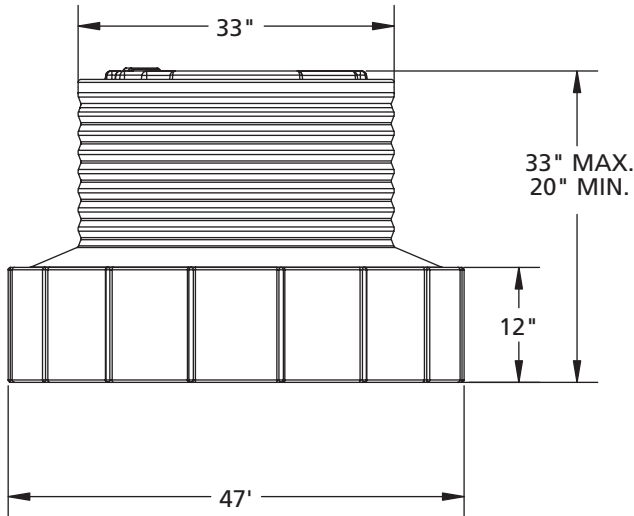
MODEL	DESCRIPTION
TSD-4736	Tank Sump, Deep Burial, 47" Base, fits 36" Manhole
TSD-4736-IP	TSD-4736 Sump with Inspection Port factory installed
TSM-4736	Tank Sump, Medium Burial, 47" Base, fits 36" Manhole
TSM-4736-IP	TSM-4736 Sump with Inspection Port factory installed
TSS-4736	Tank Sump, Shallow Burial, 47" Base, fits 36" Manhole
TSS-4736-IP	TSS-4736 Sump with Inspection Port factory installed
260-036-01	TSM-4736 Sump Lid Replacement
MA-22	Manway Adaptor, 22"
MA-24	Manway Adaptor, 24"
IP-400	Inspection Port
IP-400-B	Inspection Port - FEP style with well cap



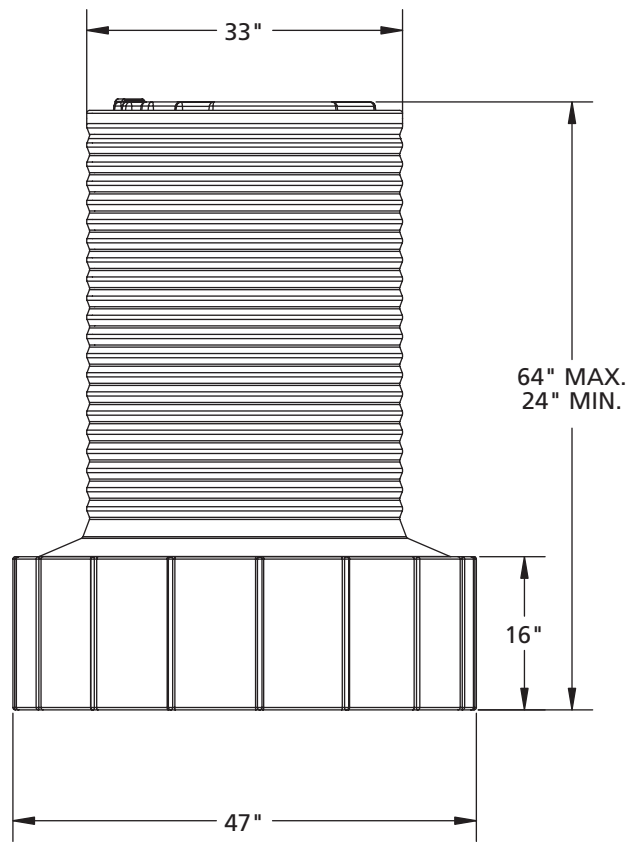


4736 Series One-Piece Tank Sump

TSS-4736 TANK SUMP  
SHALLOW BURIAL



TSD-4736 TANK SUMP  
DEEP BURIAL



TSM-4736 TANK SUMP  
MEDIUM BURIAL

