

AST Overfill Prevention Valve

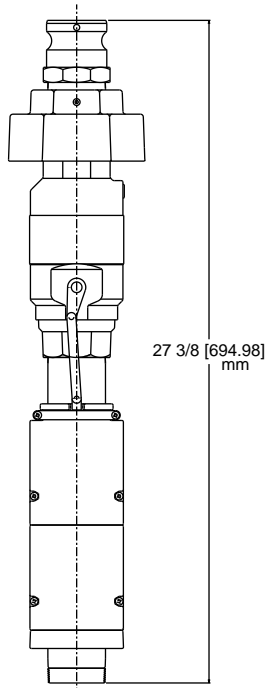
Model 709 Warden® AST Overfill Prevention Valve

The EBW Warden® is designed to provide a positive shutoff during a pressurized fill delivery on an aboveground storage tank. It eliminates spills and overfills, avoiding costly cleanup expenses and ground contamination. The Warden is fully adjustable to provide shut-off in various height and capacity aboveground tanks.

The Warden is designed to fit into a 4" fill riser making installation on new and existing locations simple and quick. The cylindrical float design eliminates interference with tank walls and cross bracing. The 709-400 models require 8" to 9" ullage. The 709-420 model was designed with inverted floats to be used in smaller or rectangular tanks. The 709-420 model requires 4" minimum ullage.

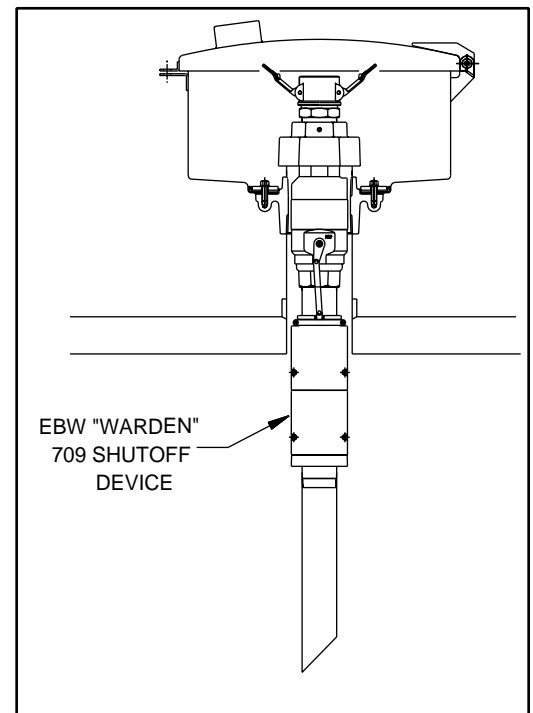


Part No.	Model	Lbs.	Kg.
709-400-01	4" Overfill Valve	12.50	5.67
709-400-10	With 10" nipple - 2" NPT	12.50	5.67
709-420-01	4" Overfill with inverted floats	12.50	5.67
774-212-01	Optional Dust Cap	1.25	.57



Features

- Cylindrical float design eliminates interference with tank walls and cross braces
- 100 psi working pressure rating
- Flow rate 200 gpm @ 20 psi
- Ships complete with upper nipple and tight fill adapter with crossbar to prevent open fills
- Simple installation—simply thread onto a 4" fill riser to install. Length of upper tube determines shut-off point.



Certifications / Listings

New York City Fire Department Certification #4958

For N.Y.C. applications, this valve must be installed with a N.Y.C. Fire Department approved spill container. There are additional installation requirements including, but not limited to, product identification and color coding of fills. Installation must comply with applicable codes at the time of installation.

709-400	ULC - file CMH 1726
Patent Numbers	5,655,565 & 5,839,465
C.A.R.B. certified # AGT 98-1	

Materials

Valve Body: Aluminum 356-T6

Poppet: Aluminum 356-T6

Shaft: Stainless steel

Float: High density polyethylene

Nipple: Epoxy coated black iron pipe

Note:

The Warden® is recommended for use with clean product only. Contaminated product may cause erratic operation or valve failure