

### Description

The compact L007/L007TT is a low-cost, side mounted level switch that can be mounted inside or outside the tank and is available in a wide variety of materials for most any service. Its no-leak construction ensures safe installation in tanks of any size and it can be easily converted from normally open to normally closed by rotating the switch. The all stainless steel model provides all the same versatility with high temperature, high pressure protection.

### Principle of Operation

A hermetically sealed, magnetically sensitive reed switch located in the switch stem is opened or closed by a magnet inside the hinged float as it moves toward or away from the switch stem.

### Key Features

- No-leak construction
- Ideal for small tanks
- Side-wall mounting: internal or external
- Broad media compatibility
- Operates on falling or rising level
- Extreme temperature/pressure model (316 SS)

Floats can either rise or lower with the liquid level depending on the mounting position.

In Normally-Open (shown in graphics) the float lowers with the level.

In Normally-Closed, the float rises with the liquid level.

Rotating the switch 180° will change the switch operation to Normally-Open or Normally-Closed

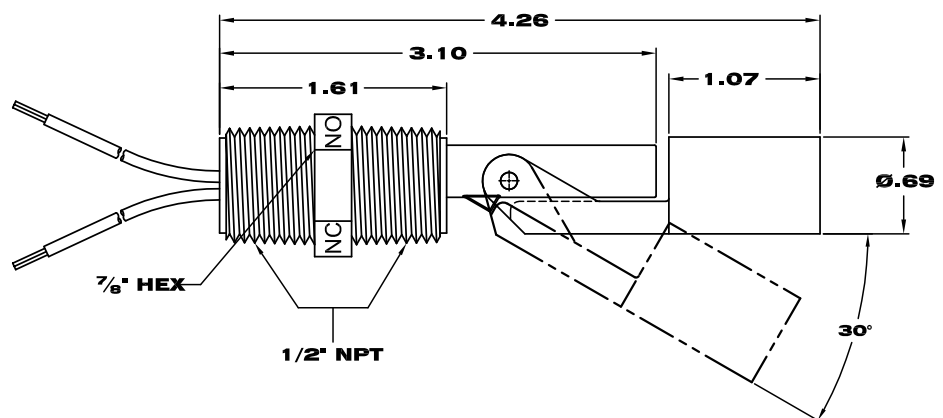
- 50 VA switch (standard)

### Applications

- Storage tanks
- Condensate vessels
- HVAC equipment
- Beverage dispensing
- Chemical storage
- Chillers

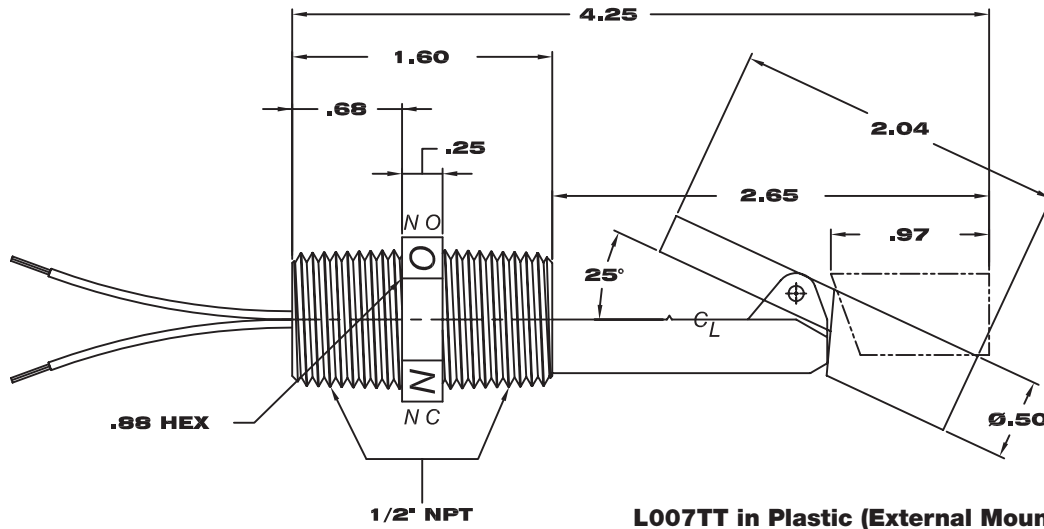
### Environmental

- Maximum pressure:
  - Polypropylene: 100 psig (6.8 bar)
  - Stainless steel: 300 psig (20 bar)
- Maximum temperature:
  - Polypropylene +120° F (+48° C)
  - Stainless steel +300° F (+148° C)



**L007 in Plastic (External Mount)**





**L007TT in Plastic (External Mount)**

Specifications						
Series	Mounting	Stem/Float Materials	SG	Temperature	Pressure	P/N
L007	1/2" NPT	PVDF	.85	-40° to +176° F	100 PSIG	L007-0404-0403
	1/2" NPT	PP	.80	-40° to +150° F	100 PSIG	L007-0402-0203
	1/2" NPT	PVC	.80	-40° to +140° F	100 PSIG	L007-0405-0503
	1/2" NPT	SS	.80	-40° to +300° F	300 PSIG	L007-0408-0803
	3/8" - 24	PVDF	.85	-40° to +176° F	100 PSIG	L007-1804-0403
	3/8" - 24	PP	.80	-40° to +150° F	100 PSIG	L007-1802-0203
	3/8" - 24	PVC	.80	-40° to +140° F	100 PSIG	L007-1805-0503
	3/8" - 24	SS	.80	-40° to +300° F	300 PSIG	L007-1808-0803
	1/2" NPT	Polysulfone	.70	-40° to +300° F	100 PSIG	L007-0422-2203
	1/2" NPT	Nylon	.80	-40° to +150° F	100 PSIG	L007-0418-1803
	3/8" - 24	Polysulfone	.70	-40° to +300° F	100 PSIG	L007-1822-2203
	3/8" - 24	Nylon	.80	-40° to +150° F	100 PSIG	L007-1818-1803
	5/8" - 11	Polypropylene	.80	-40° to +150° F	100 PSIG	L007-2202-0203
	5/8" - 11	Nylon	.80	-40° to +150° F	100 PSIG	L007-2218-1803
5/8" - 11	Polysulfone	.70	-40° to +300° F	100 PSIG	L007-2222-2203	
Specifications ("Teeter Totter" Design)						
Series	Mounting	Stem/Float Materials	SG	Temperature	Pressure	P/N
L007TT	1/2" NPT	Polypropylene	.80	-40° to +150° F	150 PSIG	L007T-0402-0203
	1/2" NPT	Polysulfone	.80	-40° to +300° F	150 PSIG	L007T-0422-2203
	5/8" - 11	Polypropylene	.80	-40° to +150° F	150 PSIG	L007T-2202-0203
	5/8" - 11	Polysulfone	.80	-40° to +300° F	150 PSIG	L007T-2222-2203

SG refers to recommended minimum liquid specific gravity