

Service Station Hardware

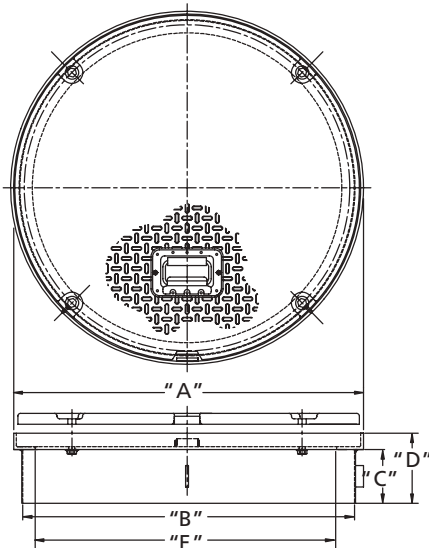


**30", 36", 42" Fiber Reinforced
Composite Manholes**

EBW's SAFE-LITE FRC manhole covers are ultra lightweight. Engineered and tested to exceed the D.O.T. H20 load ratings. Covers are approximately 1/3 the weight of steel which dramatically reduces injury potential during cover removal. Available in 30", 36", & 42" sizes. The Slide Action Cover further reduces the chance of injury by eliminating the need to bend down to remove or replace the cover.



Available in 30", 36" and 42" diameters with bolt down, non-bolt down and Slide Action covers



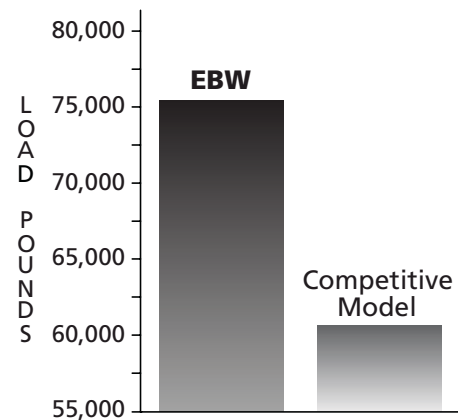
**"Slide On" manhole cover
(Less Strain, No Pain)**

NOMINAL SIZE	DIM. "A"		DIM. "B"		DIM. "C"		DIM. "D"		DIM. "E"	
	IN.	CM.	IN.	CM.	IN.	CM.	IN.	CM.	IN.	CM.
30"	32.75	83.19	31.12	79.38	10.50	26.67	12.00	30.48	28.75	73.03
36"	40.25	102.24	38.62	98.09	10.50	26.67	12.00	30.48	36.25	92.08
42"	45.00	114.30	43.38	110.19	10.50	26.67	12.00	30.48	41.00	104.14
42"	45.00	114.30	43.38	110.19	16.50	41.91	18.00	45.72	41.00	104.14

Design Highlights & Advantages

- Exceeds D.O.T. Requirements - engineered for high-strength and tested to over 50,000 lbs. loads (2 1/2 times D.O.T. requirements) without failure.
- Fatigue Resistant - have undergone 30 year life simulation testing, with 11,000 loading cycles of 20,000 pounds each.
- Lightweight - The FRC composite covers weigh almost 1/3 less than steel. Lighter weight reduces back injuries, increases ease of access to manhole, and decreases shipping costs.
- Skirt ring - made of 1/4" rolled angle iron. Skirt is 14 gauge steel - built to handle the heaviest traffic.
- "Slide Action Cover" - Cover is removed and replaced by placing the Slide Action Handle into the plate on the cover. No bending down to remove the cover.
- Cover Options - Bolted, non-bolted, and slide on models.
- Optional Kevlar® Covers - For extra wear protection at heavy traffic sites. Available for 36" and 42" models only.

Maximum load before failure of 39 1/2" diameter composite manhole covers



Tested to over 2 1/2 times D.O.T. load requirements.



Manholes with SAFE-LITE Fiber Reinforced Composite (FRC) Covers

12" Round Manholes with FRC Covers

PART	COVER OD*	DESCRIPTION
781-212-12 BLK	13"	12" manhole, black FRC cover
781-212-12 ORG	13"	12" manhole, orange FRC cover

12" Round FRC Covers

PART	COVER OD*	DESCRIPTION
781-302-01	13"	FRC - Black
781-302-07	13"	FRC - Orange

18" Round Manholes with FRC Covers

PART	COVER OD*	DESCRIPTION
781-418-08 BLK	19"	8 1/2" skirt
781-418-12 BLK	19"	12" skirt
781-418-18 BLK	19"	18" skirt

18" Round FRC Covers

PART	COVER OD*	DESCRIPTION
781-304-01	19"	Black
781-304-02	19"	White
781-304-03	19"	Red
781-304-04	19"	Blue
781-304-05	19"	Yellow
781-304-06	19"	Grey
781-304-07	19"	Orange

30" Round Manholes with FRC Covers

PART	COVER OD*	DESCRIPTION
781-430-12 GRY	32"	Grey, Bolted cover with 12" skirt
781-430-13 GRY	32"	Grey, Non-bolted cover with 12" skirt

30" Round FRC Covers

PART	COVER OD*	DESCRIPTION
781-459-01	32"	Black, Bolted cover**
781-459-06	32"	Grey, Bolted cover
781-490-01	32"	Black, Non-bolted cover**
781-490-06	32"	Grey, Non-bolted cover

36" Round Manholes with FRC Covers

PART	COVER OD*	DESCRIPTION
781-433-12 GRY	39.5"	Grey, Bolted cover with 12" skirt
781-433-13 GRY	39.5"	Grey, Non-bolted cover with 12" skirt
781-485-12 GRY	39.5"	Grey, Slide Action cover with 12" skirt

36" Round FRC Covers

PART	COVER OD*	DESCRIPTION
781-456-06	39.5"	Grey, Bolted cover
781-448-06	39.5"	Grey, Non-bolted cover
781-482-06	39.5"	Grey, Slide Action cover

36" Round Manholes with Kevlar® Composite Covers

PART	COVER OD*	DESCRIPTION
780-492-NB	39.5"	Non-bolted cover with 12" skirt
780-492-BD	39.5"	Bolted cover with 12" skirt

36" FRC Kevlar® Composite Covers

PART	COVER OD*	DESCRIPTION
780-456-06	39.5"	Grey, bolted cover
780-448-06	39.5"	Grey, non-bolted cover

42" Round Manholes with FRC Covers

PART	COVER OD*	DESCRIPTION
781-443-12 GRY	44"	Grey, Bolted cover with 12" skirt
781-443-18 GRY	44"	Grey, Bolted cover with 18" skirt
781-444-12 GRY	44" x 52"	Black, Bolted cover with 42" x 8" top skirt and 52" x 14" bottom skirt
781-443-13 GRY	44"	Grey, Non-bolted cover with 12" skirt
781-486-12 GRY	44"	Grey, Slide Action Cover with 12" skirt

42" Round FRC Covers

PART	COVER OD*	DESCRIPTION
781-441-01	44.25"	Black, Bolted cover**
781-445-01	44.25"	Black, Non-bolted cover**
781-441-06	44.25"	Grey, Bolted cover
781-445-06	44.25"	Grey, Non-bolted cover
781-483-06	44.25"	Grey, Slide Action cover

42" Round Manholes with Kevlar® Composite Covers

PART	COVER OD*	DESCRIPTION
780-491-NB	44"	Non-bolted cover with 12" skirt
780-491-BD	44"	Bolted cover with 12" skirt

42" FRC Kevlar® Composite Covers

PART	COVER OD*	DESCRIPTION
780-441-06	44"	Grey, Bolted cover
780-445-06	44"	Grey, Non-bolted cover

* OD = Outside Diameter

** may require a 30 day lead time, consult factory for availability.