

Service Station Hardware



Steel Manholes

Available in 18" to 48" round or 24" square.

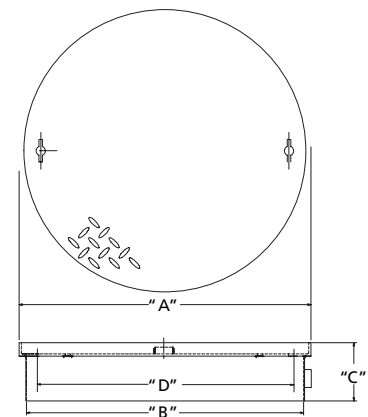


Design Highlights & Advantages:

- Covers meet or exceed D.O.T. H20 load rating.
- Available in a heavy duty non-bolted version and a (WT) bolted version (WT includes bolts & gasket).
- Painted rust-proof black.
- 24 inch square manhole is manufactured using all welded construction. Corners are matched tight to ensure proper fit with covers.

Round Manholes

PART	COVER	DIAMETER		SKIRT SIZE		LBS.	KG.
		IN.	CM.	IN.	CM.		
781-418-08 STL	Non-bolted	18"	45.72	8"	20.32	39	17.6
781-418-12 STL	Non-bolted	18"	45.72	12"	30.48	41	18.6
781-418-18 STL	Non-bolted	18"	45.72	18"	45.72	44	19.95
SR1809 WT	Bolted	18"	45.72	9"	22.86	40	18.14
SR2409 HD	Non-bolted	24"	60.96	9"	22.86	70	31.75
SR3009 HD	Non-bolted	30"	76.20	9"	22.86	139	63.05
SR3009 WT	Bolted	30"	76.20	9"	22.86	139	63.05
SR3609 HD	Non-bolted	36"	91.44	9"	22.86	192	87.09
SR3609 WT	Bolted	36"	91.44	9"	22.86	192	87.09
SR3809 HD	Non-bolted	38"	96.52	9"	22.86	235	106.59
SR3809 WT	Bolted	38"	96.52	9"	22.86	235	106.59
SR4209 HD	Non-bolted	42"	106.68	9"	22.86	310	140.61
SR4209 WT	Bolted	42"	106.68	9"	22.86	310	140.61
SR4809 HD	Non-bolted	48"	121.92	9"	22.86	400	181.44
SR4809 WT	Bolted	48"	121.92	9"	22.86	400	181.44



PART	A	B	C	D
781-418-08 STL	19	18	8.5	17.93
781-418-12 STL	19	18	12	17.93
781-418-18 STL	19	18	18	17.93
SR1809 WT	17.5	16.75	9	16.25
SR2409 HD	23.5	22.75	9	22.25
SR3009 HD	29.5	28.75	9	28.25
SR3009 WT	29.5	28.75	9	28.25
SR3609 HD	35.5	34.75	9	34.25
SR3609 WT	35.5	34.75	9	34.25
SR3809 HD	39.5	38.75	9	38.25
SR3809 WT	39.5	38.75	9	38.25
SR4209 HD	41.5	40.25	9	39.75
SR4209 WT	41.5	40.25	9	39.75
SR4809 HD	47.5	46.25	9	45.75
SR4809 WT	47.5	46.25	9	45.75

(1) 24" Manhole for Piping Sump
 (1) 36" Manhole for Tank Access Sump