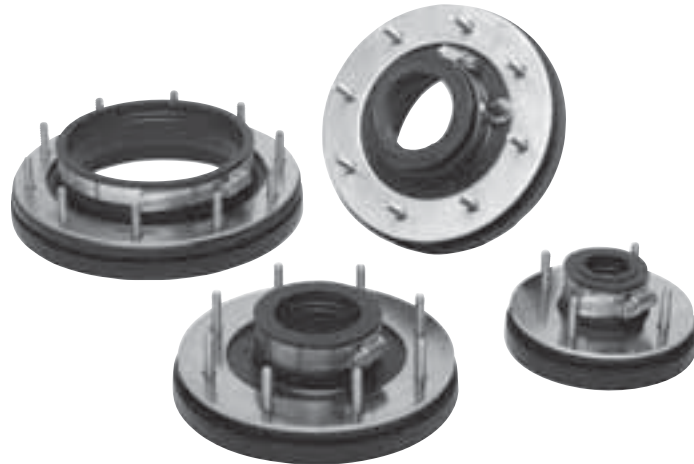


Advantages

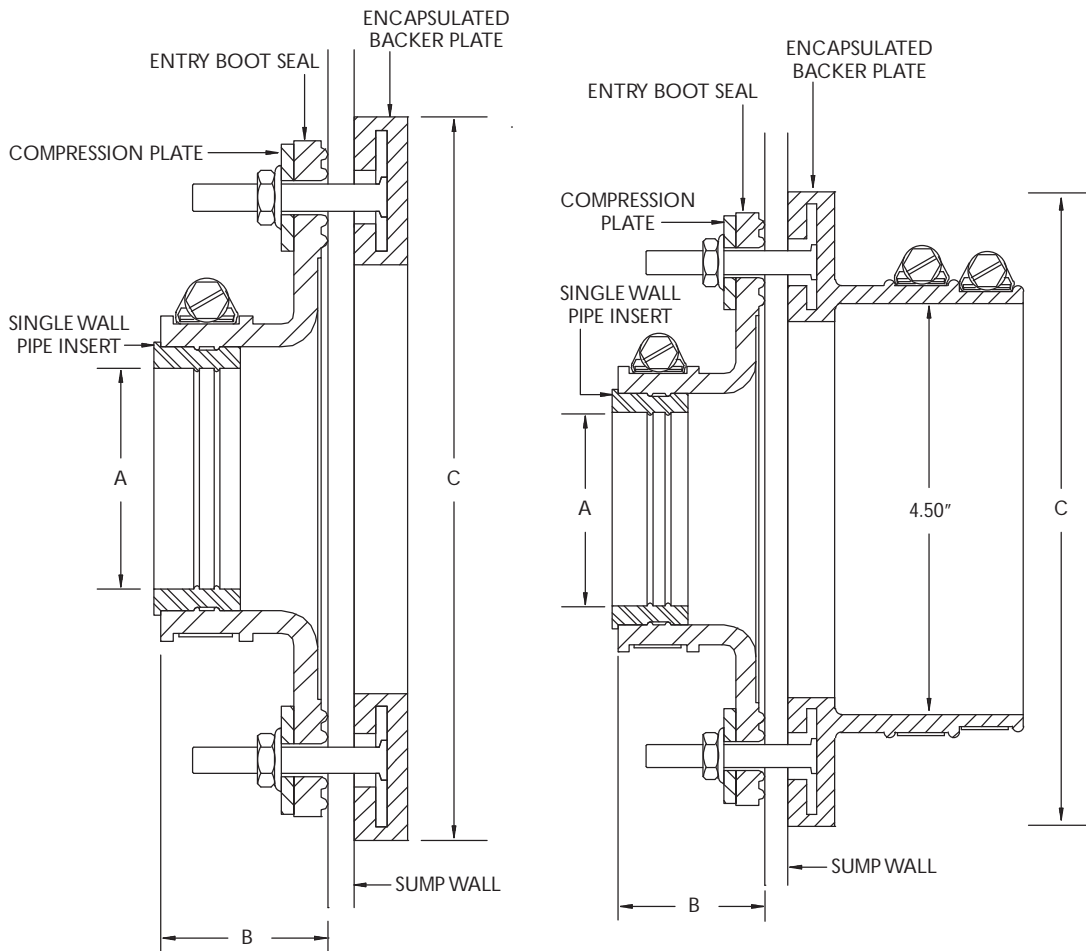
- Designed to be used with APT product piping, the entry boots are also ideal for use with rigid piping and electrical conduits.
- Flexible entry boots available in sizes from 1/2" through 4".
- Ducted entry boots available in sizes from 1 1/2" through 2 1/2". APT offers these ducted entry boots in an air testable version for easy testing of the 4" corrugated ducting.
- Boot size designations correspond directly to the pipe size being used.
- Any boot for a single wall pipe can be converted to a boot for a double wall pipe by simply removing the insert in the pipe opening.
- Entry boot can be serviced from inside the sump, eliminating the need for sump excavation.
- Made from oil- and gasoline-resistant nitrile rubber.
- Will work on round sumps of 36" or larger diameter.

Flexible Entry Boots

APT flexible entry boots are two-piece boots that double the sealing power of your entry boots. Stainless steel studs and corrosion-resistant nuts and washer plates make for the highest quality entry boot. APT offers a complete line of sizes for 1/2" through 4" single and secondary containment pipe. The 1 1/2" through 2 1/2" sizes are also available in a ducted boot version to accommodate the use of APT DCT-400 corrugated ducting for easy retractability.



Model	Description
FEB-050-D	Flexible entry boot for 1/2" electrical conduit
FEB-050-SC	Flexible entry boot for 3/4" electrical conduit
FEB-075-D	Flexible entry boot for 3/4" and 1" electrical conduit
FEB-075-D2	Double sided entry boot for 3/4" and 1" electrical conduit
FEB-075-SC	Flexible entry boot for 1" electrical conduit
FEB-100-D	Flexible entry boot for XP-100-D
FEB-100-SC	Flexible entry boot for XP-100-SC
FEB-150-D	Flexible entry boot for XP-150-D
FEB-150-SC	Flexible entry boot for XP-150-SC
FEB-175-D	Flexible entry boot for XP-175-D
FEB-175-SC	Flexible entry boot for XP-175-SC and 2" single wall fiberglass
FEB-200-D	Flexible entry boot for XP-200-D
FEB-200-SC	Flexible entry boot for XP-200-SC
FEB-250-SC	Flexible entry boot for XP-250-SC
FEB-300	Flexible entry boot for 3" single wall fiberglass
FEB-300-R	Flexible entry boot for 3" single wall fiberglass
FEB-400-R	Flexible entry boot for 4" single wall fiberglass
FEB-400-F	Flexible entry boot for 4" double wall pipe
Model	Description
DEB-150-D	Ducted entry boot for XP-150-D
DEB-150-SC	Ducted entry boot for XP-150-SC
DEB-175-D	Ducted entry boot for XP-175-D
DEB-175-SC	Ducted entry boot for XP-175-SC
DEB-200-D	Ducted entry boot for XP-200-D
DEB-200-SC	Ducted entry boot for XP-200-SC
DEB-250-SC	Ducted entry boot for P-250-SC
Model	Description
DEB-150-DA	Air testable ducted entry boot for XP-150-D
DEB-150-SCA	Air testable ducted entry boot for XP-150-SC
DEB-175-DA	Air testable ducted entry boot for XP-175-D
DEB-175-SCA	Air testable ducted entry boot for XP-175-SC
DEB-200-DA	Air testable ducted entry boot for XP-200-D
DEB-252-DA	Air testable ducted entry boot for XP-200-SC and P-250-D
89510101	Ducting insert
89510201	Ducting v-seal



Flexible Entry Boots

Model	A	B	C	Mtg. Hole Size	Mtg. Studs
FEB-050-D	0.84"	1.50"	4.75"	2.00"	4
FEB-050-SC	1.05"	1.50"	4.75"	2.00"	4
FEB-075-D	1.05"	1.50"	4.75"	2.00"	4
FEB-075-SC	1.32"	1.50"	4.75"	2.00"	4
FEB-100-D	1.32"	1.50"	4.75"	2.00"	4
FEB-100-SC	1.70"	1.50"	4.75"	2.00"	4
FEB-150-D	1.75"	1.50"	6.75"	3.50"	8
FEB-150-SC	2.00"	1.50"	6.75"	3.50"	8
FEB-175-D	2.00"	1.50"	6.75"	3.50"	8
FEB-175-SC	2.40"	1.50"	6.75"	3.50"	8
FEB-200-D	2.50"	1.50"	6.75"	3.50"	8
FEB-200-SC	2.88"	1.50"	6.75"	3.50"	8
FEB-250-SC	3.24"	1.50"	6.75"	3.50"	8
FEB-300	3.50"	1.50"	8.00"	3.50"	10
FEB-300-R	3.50"	1.50"	6.75"	3.50"	8
FEB-400-R	4.50"	1.50"	8.00"	5.50"	10
FEB-400-F	4.94"	1.50"	8.00"	5.50"	10

Ducted Entry Boots

Model	A	B	C	Mtg. Hole Size	Mtg. Studs
DEB-150-D	1.75"	1.50"	6.75"	3.50"	8
DEB-150-SC	2.00"	1.50"	6.75"	3.50"	8
DEB-175-D	2.00"	1.50"	6.75"	3.50"	8
DEB-175-SC	2.40"	1.50"	6.75"	3.50"	8
DEB-200-SC	2.88"	1.50"	6.75"	3.50"	8
DEB-250-SC	3.24"	1.50"	6.75"	3.50"	8

Air Testable

Model	A	B	C	Mtg. Hole Size	Mtg. Studs
DEB-150-DA	1.75"	1.50"	6.75"	3.50"	8
DEB-150-SCA	2.00"	1.50"	6.75"	3.50"	8
DEB-175-DA	2.00"	1.50"	6.75"	3.50"	8
DEB-175-SCA	2.40"	1.50"	6.75"	3.50"	8
DEB-200-DA	2.50"	1.50"	8.00"	5.50"	10
DEB-252-DA	3.00"	1.50"	8.00"	5.50"	10