

IMPORTANT: OPW products should be used in compliance with applicable federal, state, provincial, and local laws and regulations. Product selection should be based on physical specifications and limitations and compatibility with the environment and materials to be handled. OPW MAKES NO WARRANTY OF FITNESS FOR A PARTICULAR USE. All illustrations and specifications in this literature are based on the latest product information available at the time of publication. OPW reserves the right to make changes at any time in prices, materials, specifications and models and to discontinue models without notice or obligation.



Pomeco/OPW 110/120 Series Steel Round Manholes (6110-0800 6110-08WT 6110-12WT 6110-1200 6110-16WT 6110-1600 6110-18WT 6110-1800 6110-24WT 6110-2410 6110-30WT 6110-3010 6110-37WT 6110-3710 6110-37TX 6110-4010 6110-42WT 6110-4200 6110-48WT 6120-18WT 6120-12WT 6120-24WT 6120-30WT 6120-37WT 6120-42WT 6120-48WT)



POMECO/OPW 110/120 Series Round Manholes are designed for use in a wide range of service station driveway, industrial, and commercial applications. The 110s and 120s are used to provide access to all types of underground equipment, including vapor recovery connections, UST monitoring equipment and submersible pumps. The 120 Series includes Roto-Lock fasteners on 24" and larger manholes.

Table of Contents:

1. Features
2. Ordering Specifications
3. Replacement Parts

Features

- **Standard and Raintight Models Available** - Raintight models include Buna-N gaskets and recessed hex-head bolts or Roto-Lock fasteners to help prevent water intrusion.
- **Wide Range of Sizes** - Sizes range from 8" to 48" (25 to 122 cm) to accommodate a wide range of applications. Custom sizes and configurations are also available.
- **Easy Cover Removal** - An integral recessed handle is included on all raintight and plain manholes 24" and larger. Manholes 42" and larger include dual recessed handles and provision for centered 1/2" - 13 threaded allen head blind plug for easy removal so that a 1/2" 13 eyebolt can be threaded into the hole for easier removal of covers.
- **Highway 20 Rated (H20)** - All OPW spill containers and manholes exceed the requirements of the Highway 20 rating.

Materials:

Skirt: galvanized steel

Cover: steel diamond plate

Ring: cast iron or fabricated steel

Gasket: Buna-N

Contact Customer Service For Specials, Powder Coating or Tee Handles.

Ordering Specifications

Model No.	Description	O.D.		I.D.		Thickness		Weight		Ring
		in.	cm.	in.	cm.	in.	cm.	lbs.	kg.	
6110-0800	Standard	9 7/8"	25	8"	20	3/8"	9	12	5	Cast Iron
6110-08WT	Raintight	9 7/8"	25	8"	20	3/8"	9	12	5	Cast Iron
6110-12WT	Raintight	14 1/2"	35	12"	30	3/8"	9	30	14	Fab. Steel
6110-1200	Standard	14 1/2"	35	12"	30	3/8"	9	30	14	Fab. Steel
6110-16WT	Raintight	18"	46	16"	41	3/8"	9	45	20	Fab. Steel
6110-1600	Standard	18"	46	16"	41	3/8"	9	45	20	Fab. Steel
6110-18WT	Raintight	20 1/8"	51	18"	46	3/8"	9	54	25	Fab. Steel
6110-1800	Standard	20 1/8"	51	18"	46	3/8"	9	54	25	Fab. Steel
6110-24WT	Raintight*	24"	61	21 5/8"	55	3/8"	9	88	40	Fab. Steel
6110-	Standard*	24"	61	22	58	3/8"	9	88	40	Fab.

2410				3/4"						Steel
6110-30WT	Raintight*	30"	76	27 5/8"	70	1/2"	13	160	73	Fab. Steel
6110-3010	Standard*	30"	76	27 5/8"	70	3/8"	9	160	73	Fab. Steel
6110-37WT	Raintight*	37"	94	34 5/8"	88	1/2"	13	178	81	Fab. Steel
6110-3710	Standard*	37"	94	34 5/8"	88	3/8****	9	178	81	Fab. Steel
6110-37TX	Standard**	37"	94	34 5/8"	88	3/8****	9	178	81	Fab. Steel
6110-4010	Standard*	40"	102	37 5/8"	96	3/8"	9	198	90	Fab. Steel
6110-42WT	Raintight*	42"	107	39 5/8"	101	1/2****	13	290	132	Fab. Steel
6110-4200	Standard	42"	107	39 5/8"	101	1/2****	13	290	132	Fab. Steel
6110-48WT	Raintight*	48"	122	45 5/8"	116	3/4"	19	390	177	Fab. Steel
6120-12WT	Roto-Lock Raintight	13 3/4"	35	12"	30	3/8"	9	30	14	Fab. Steel
6120-18WT	Roto-Lock Raintight	20 1/8"	51	19"	46	3/8"	9	54	25	Fab. Steel
6120-24WT	Roto-Lock Raintight 24WT*	24"	61	22 5/8"	55	3/8"	9	88	40	Fab. Steel
6120- []	Roto-Lock []	30"	76	28 []	70	1/2"	13	160	73	Fab. []

30WT	Raintight 30WT*			5/8"							Steel
6120-37WT	Roto-Lock	37"	94	35	88	3/8"	13	178	81	Fab.	
	Raintight 37WT*			5/8"						Steel	
6120-42WT	Roto-Lock	42"	107	40	101	1/2"***	13	290	132	Fab.	
	Raintight 42WT*			5/8"						Steel	
6120-48WT	Roto-Lock	48"	122	46	116	1/2"***	19	390	177	Fab.	
	Raintight 48WT*			5/8"						Steel	

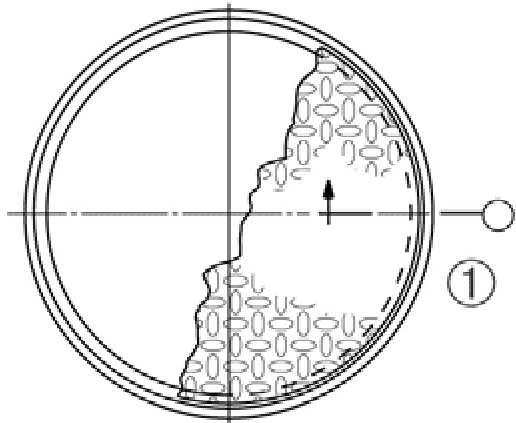
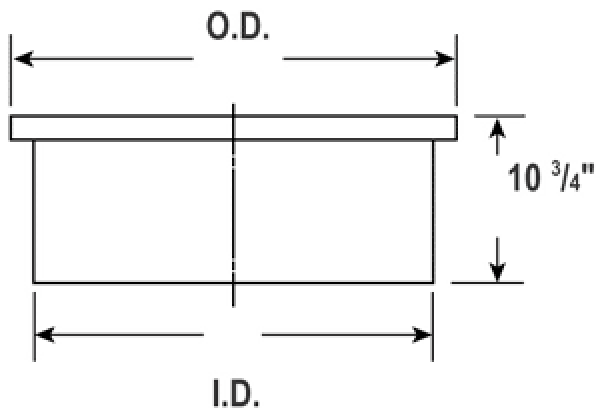
*Recessed Handle

**Reinforced Cover

Standard - Plain No Bolts / Raintight - Boltdown

Deep skirts available upon request.

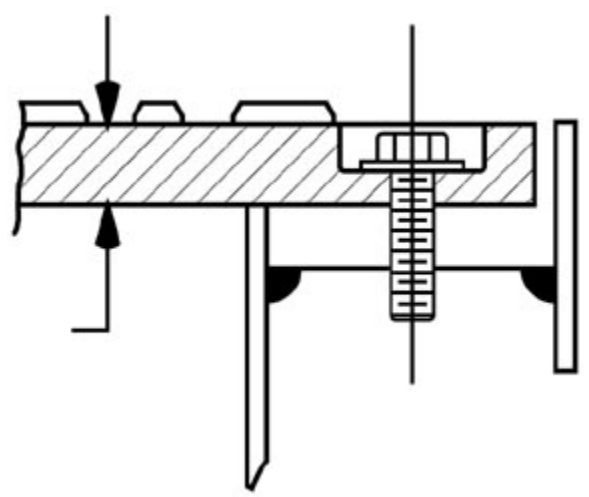
Section 1



Section 1

Section 1 (See Lid Thickness Dimensions)

Hex Head



Hex Head Detail 5/16" Bolt

Roto-Lock



Roto-Lock Detail 3/4" Hex

Replacement Parts

Part No.	Description
P110-8G	8" Replacement Gasket
P110-12G	12" Replacement Gasket
P110-18G	8" Replacement Gasket
P110-16G	16" Replacement Gasket
P110-18G	18" Replacement Gasket
P110-24G	24" Replacement Gasket
P110-30G	30" Replacement Gasket
P110-37G	37" Replacement Gasket
P110-40G	40" Replacement Gasket
P110-42G	42" Replacement Gasket
P110-48G	48" Replacement Gasket
P110-36TEE	T Handle Cover Lifter
PROTO-LOCK	(1) Replacement Rotolock
P110-8L	Replacement Cover 8"
P110-12L	Replacement Cover 12"
P110-16L	Replacement Cover 16"
P110-18L	Replacement Cover 18"
P110-24L	Replacement Cover 24"
P110-37L	Replacement Cover 37"

P110-40L	Replacement Cover 40"
P110-42L	Replacement Cover 42"
P110-48L	Replacement Cover 48"
P120-36L	Replacement Cover 36" Roto-Lock
P120-37L	Replacement Cover 37" Roto-Lock
P120-42L	Replacement Cover 42" Roto Lock

