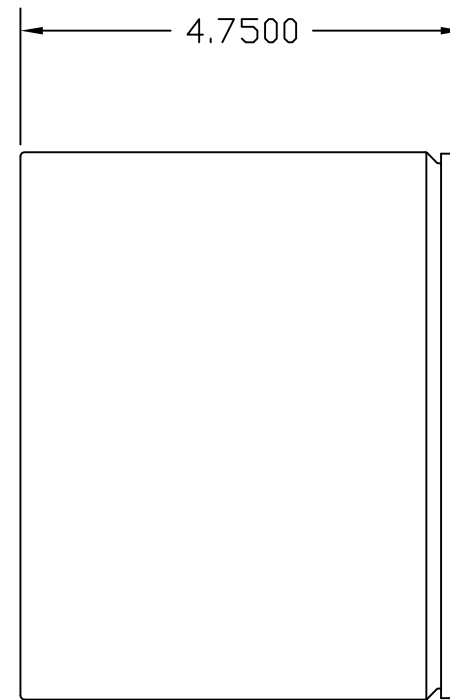
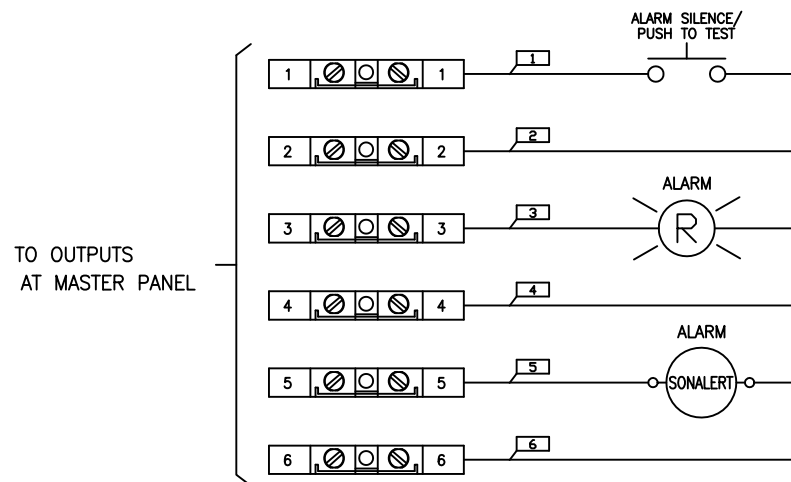


FRONT VIEW



SIDE VIEW

NEMA 4 ENCLOSURE
FOR OUTDOOR SERVICE



OVERFILL ALARM PANEL

- FACTORY INSTALLED IN FILL BOX OPTIONAL
- DIGITAL DISPLAY IN GALLONS OPTIONAL
- NEMA 4 ENCLOSURE FOR OUTDOOR SERVICE OPTIONAL

				FOR SUBMITTAL ONLY		<small>THE INSTANT COMPANY ASSUMES NO LIABILITY FOR THE OPERATION OF ANY EQUIPMENT, INCLUDING THE OPERATION OF THE EQUIPMENT, UNLESS THE OPERATOR HAS THE NECESSARY TRAINING TO DO SO. OPERATOR, USER OR MAINTENANCE PERSONNEL TO BE TRAINED TO USE, SAFELY AND RESPONSIBLY OPERATED BY AN OPERATOR.</small>		ISP AUTOMATION, INC.		1035 OLD GEORGES ROAD NO. BRUNSWICK, NJ 08902 VOICE: 732-951-9540 FAX: 732-951-9293	
						DESIGN: CAW DATE: 2/26/02		OVERFILL ALARM PANEL			
								NONE		SHEET NO. 2 OF 1	
REV.	DATE	BY	COMMENTS	APPROVED	DATE	ISSUED BY	PROJECT NO.	OAP-100-M1		FILE NO.	OAP-100-M1.DWG