

ISP Fuel Systems



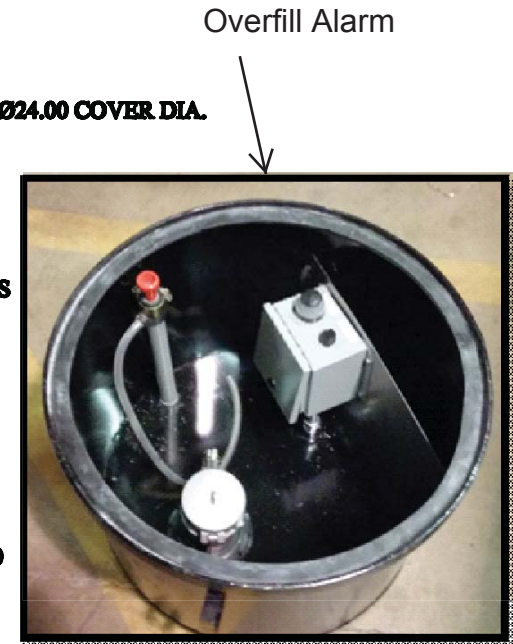
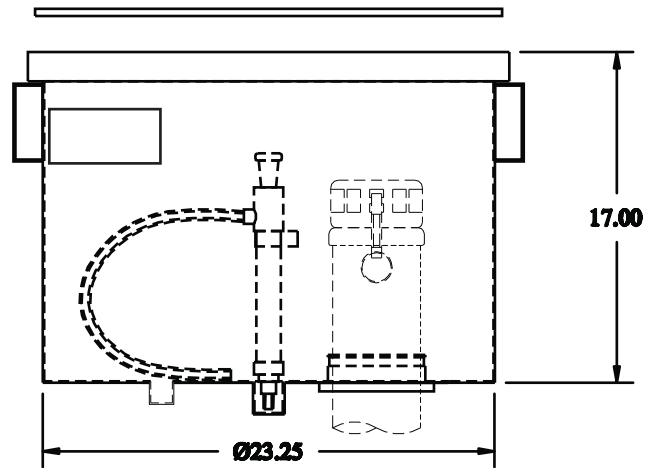
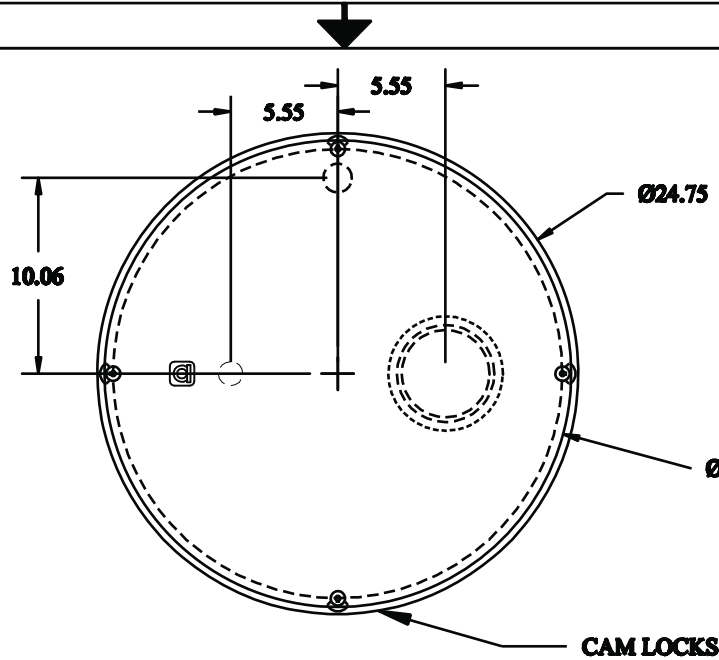
Model #SSC-3-OAP-L-1

Features:

- 3/8" Thick Diamond Plate Cover
- 1/8" BUNA-N Gasket
- 3" Flexible Entry Boot
- 3/4" Conduit Connection
- Hand Pump
- 14GA. Steel Skirt & Bottom
- Four (4) CAM Locks
- One Recessed Water Tight Handle
- Piping & Electrical Supplied By Others

Options:

- Overfill Alarm Panel (OAP)
- Tank Level Display
- Multiple Tank Fill



DO NOT SCALE DRAWING
 UNLESS OTHERWISE SPECIFIED,
 DIMENSIONS ARE IN INCHES.
 TOLERANCES ON ANGLES: ±0
 FRACTIONAL: ±1/64
 2-PLACE DECIMALS: ±0.05
 3-PLACE DECIMALS: ±0.005

THIRD ANGLE PROJECTION

ISP Fuel Systems

Chris Court, Suite F, Dayton, NJ 08810
 Ph: 732-951-9540 www.ispfuelsystems.com

SIZE	SCALE	DWG. NO.	REV.	BY
A	NTS	SSC-3	-	T
DRAWN BY		B. WYRWA	DATE	3/12/13
		SHT	1 OF 1	